

# **FIBA TECHNOLOGIES, INC.**

## **EasyLoad Portable Customer Station**

*“Providing Our Customers the World’s Finest  
Portable Cryogenic Storage Equipment”*



Side View of EasyLoad Portable Customer Station

### **The Benefits of the FIBA EasyLoad Portable Customer Station**

- Safety, Quality & Value
- Hassle-Free Delivery and Installation
- Superior Strength and Longevity
- Optional, Full-Width Casters for Safe and Easy Placement
- Optional, Fork Lift Pockets for Safe and Easy Movement
- Optional, Off-Road Yard Dolly
- Low Heat Loss/No Perlite Compaction
- High Pressure/Convenient Payload
- Reduced Operating and Installation Costs
- Highway Transportation of Product by DOT-E 12515

The EasyLoad portable customer station is FIBA's latest development in portable, cryogenic storage equipment. It allows for hassle-free delivery and installation and also eliminates the need for costly trucking and crane rentals. The EasyLoad can be delivered to a customer site on a standard, tilt-bed auto carrier. Its specially designed, optional, full-width casters allow safe and simple roll-off and placement of the tank. Once in place, the casters retract to allow the EasyLoad tank's sturdy support structure to sit securely on the pad, so there is no possibility of shifting or movement. Aside from improved portability and convenient product payloads, the EasyLoad provides the customer with a quality-built, cryogenic tank that incorporates: wrapped super-insulation, to ensure low heat loss and eliminate the possibility of perlite compaction that commonly occurs on tanks being moved, and ; structural integrity, for superior strength and longevity. This means low cost, speedy deliveries and high customer satisfaction.



### **FIBA TECHNOLOGIES, INC.**

TEL 1-508-887-7100 FAX 1-508-754-2254

[www.fibatech.com](http://www.fibatech.com)

1535 GRAFTON ROAD, MILLBURY, MA, USA 01527

*Serving the Industry Since 1958*

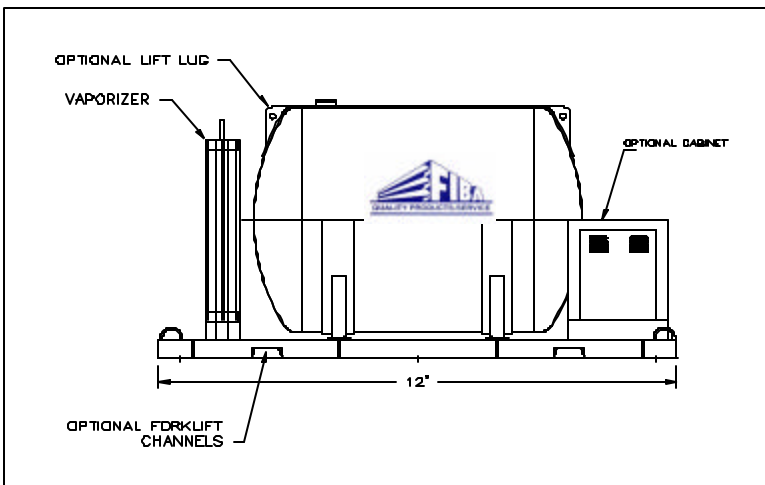


*Serving the Industry Since 1958*

EZLOADREV7



An EasyLoad fitted with optional rollers is designed to be delivered on a standard, tilt-bed auto carrier at a fraction of the cost normally associated with deliveries by commercial haulers. Once at the site, the simple off-loading process can be accomplished without renting expensive cranes and rigging services. Lengthy stand-by and set-up times are eliminated. Removal from a customer site can be accomplished in a matter of minutes.



### **SPECIFICATIONS OF FIBA EASY-LOAD PORTABLE CUSTOMER STATION**

Product	LIN, LAR, LOX
Water Capacity	870 Gallons
OAL Height	81"
OAL Width	72"
OAL Length	10' to 12'
Maximum Allowable Working Pressure	250 psi
Tare Transport Weight	6,500 lbs.
Maximum Gross Weight (Argon)	15,400 lbs.
Insulation	Vacuum with Multilaminar Super-Insulation
Inner Vessel Material	SA-240 Gr. 304
Piping	SA-312 Gr. 304 Sch. 10
Service Temperature	-320° F to 100° F
Outer Vessel	A-36
Design Code	ASME SEC. VIII DIV.1, AISC.
NER (%DAY-LOX)	0.8

**Transportation of Cryogenic Products over roadways is permitted by U.S. DOT Exemption DOT-E 12515**



**FIBA TECHNOLOGIES, INC.**  
TEL 1-508-887-7100 FAX 1-508-754-2254  
www.fibatech.com

1535 GRAFTON ROAD, MILLBURY, MA, USA 01527

